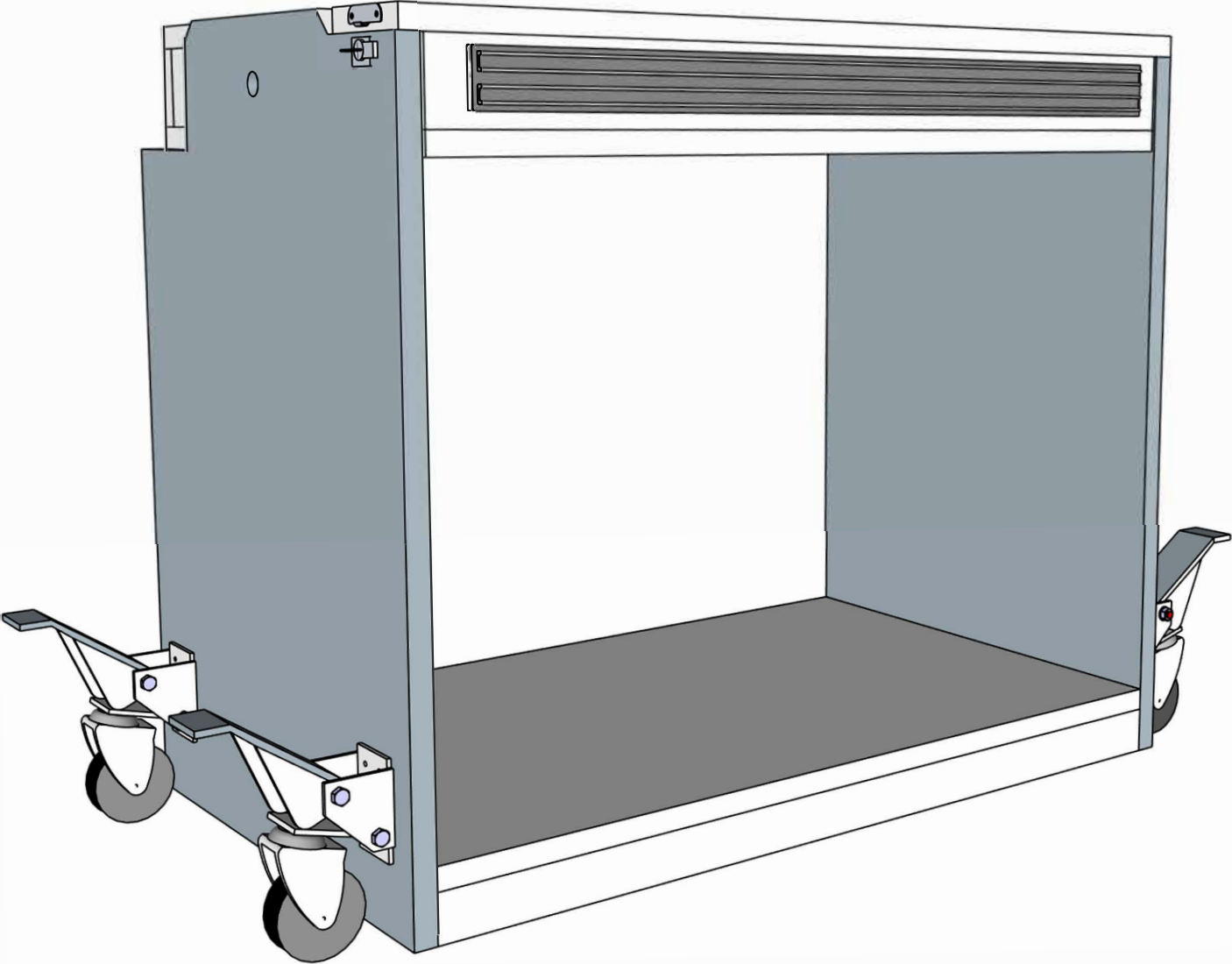
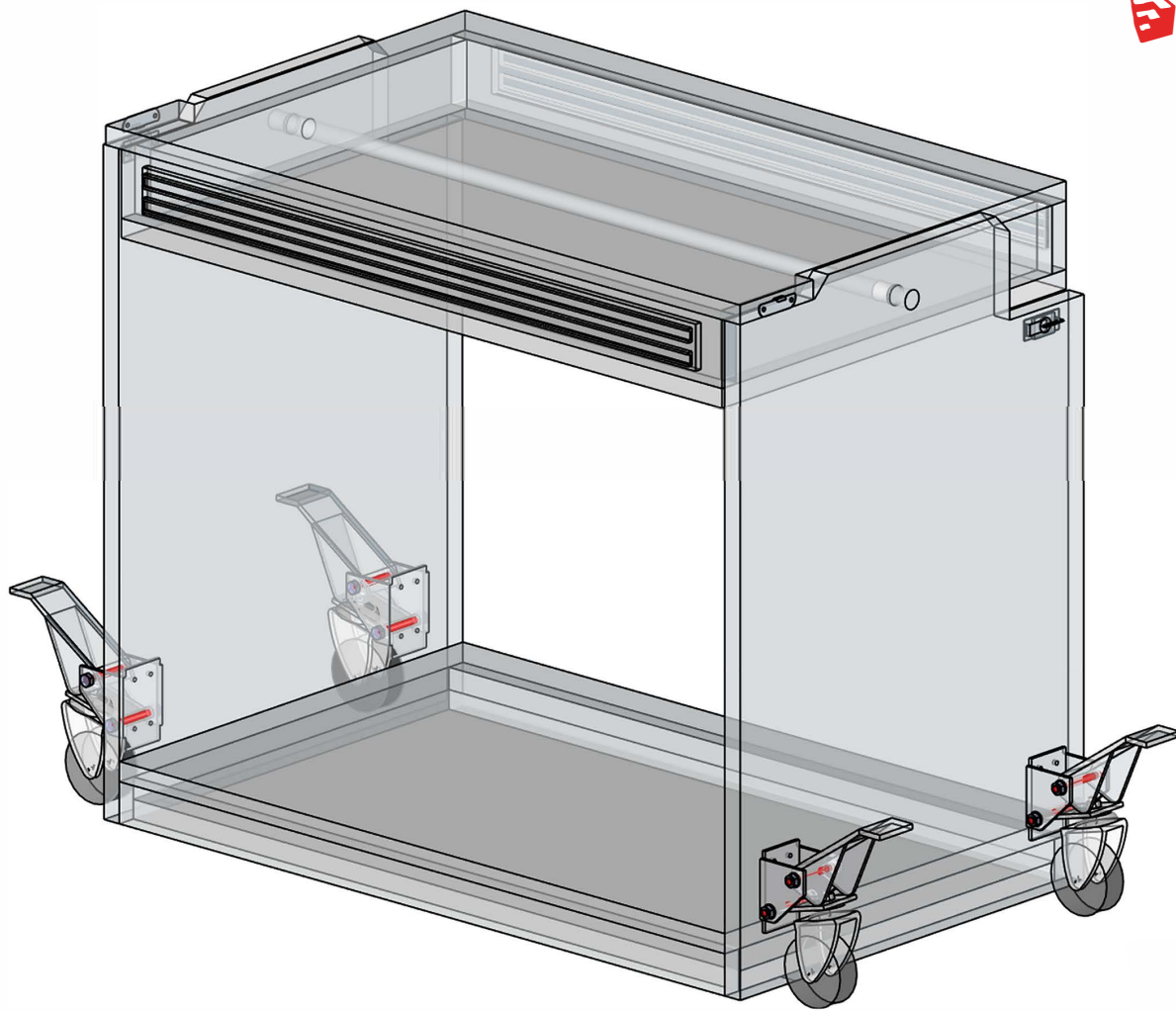
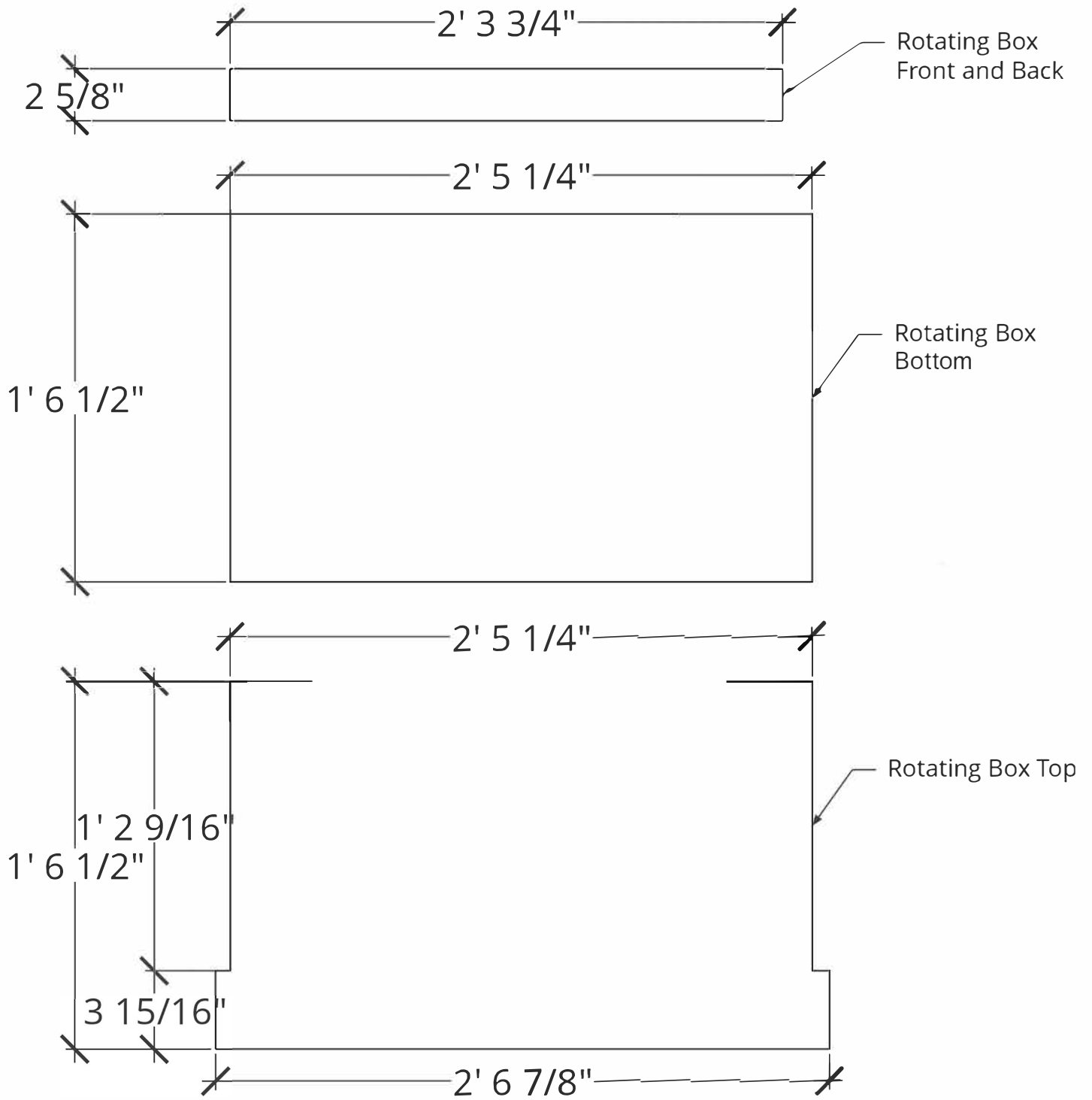
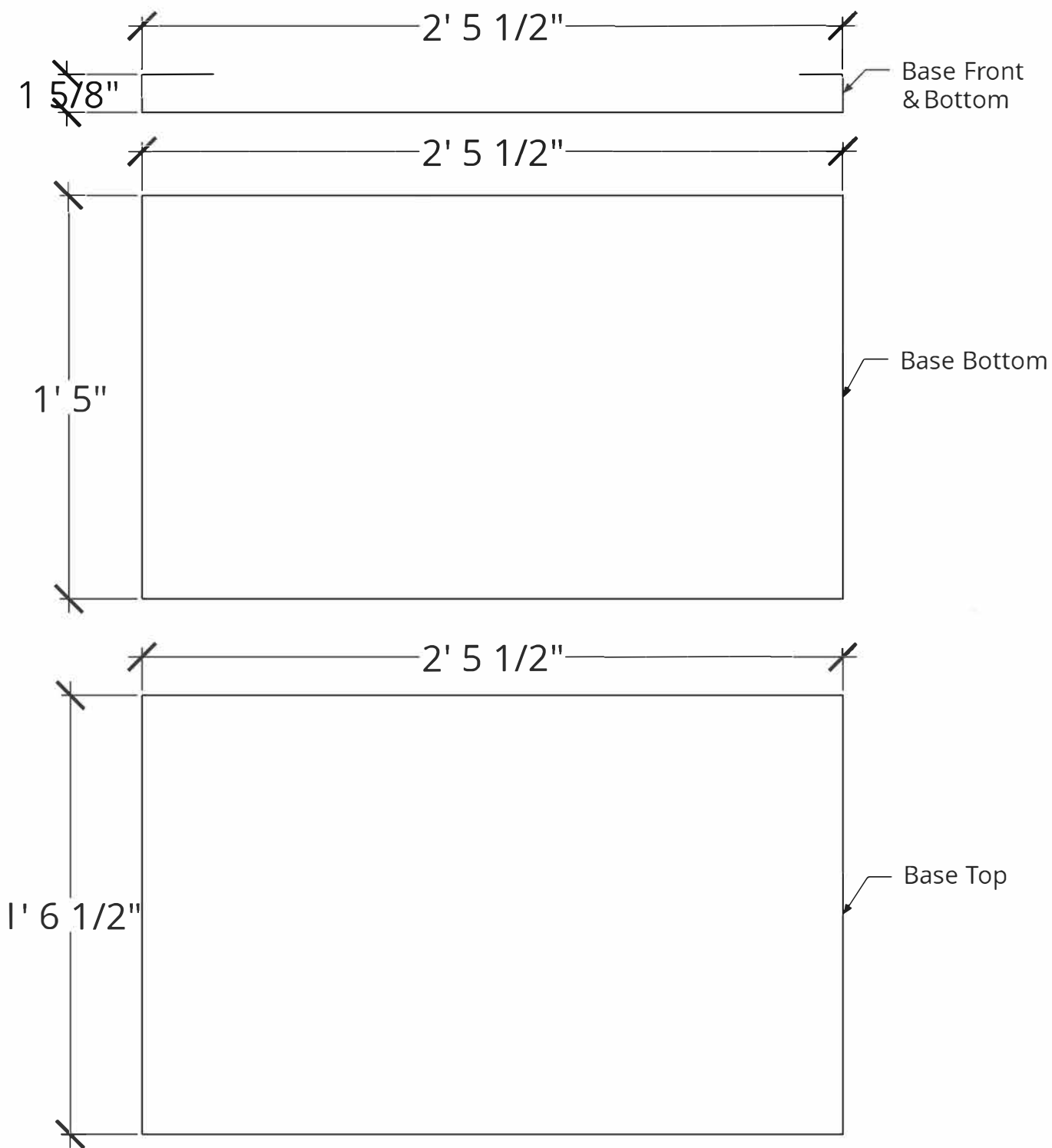


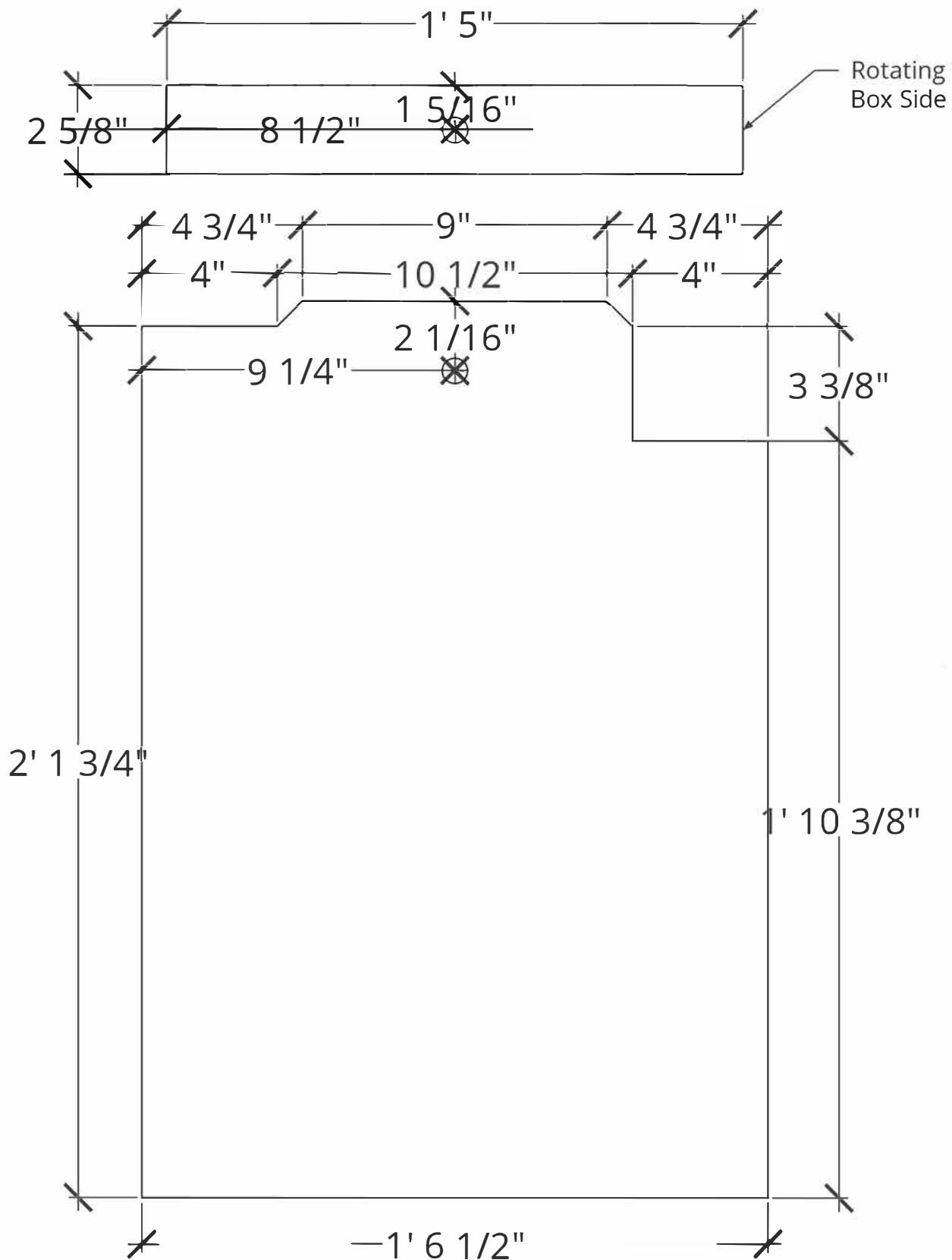
# Workshop Flip Cart

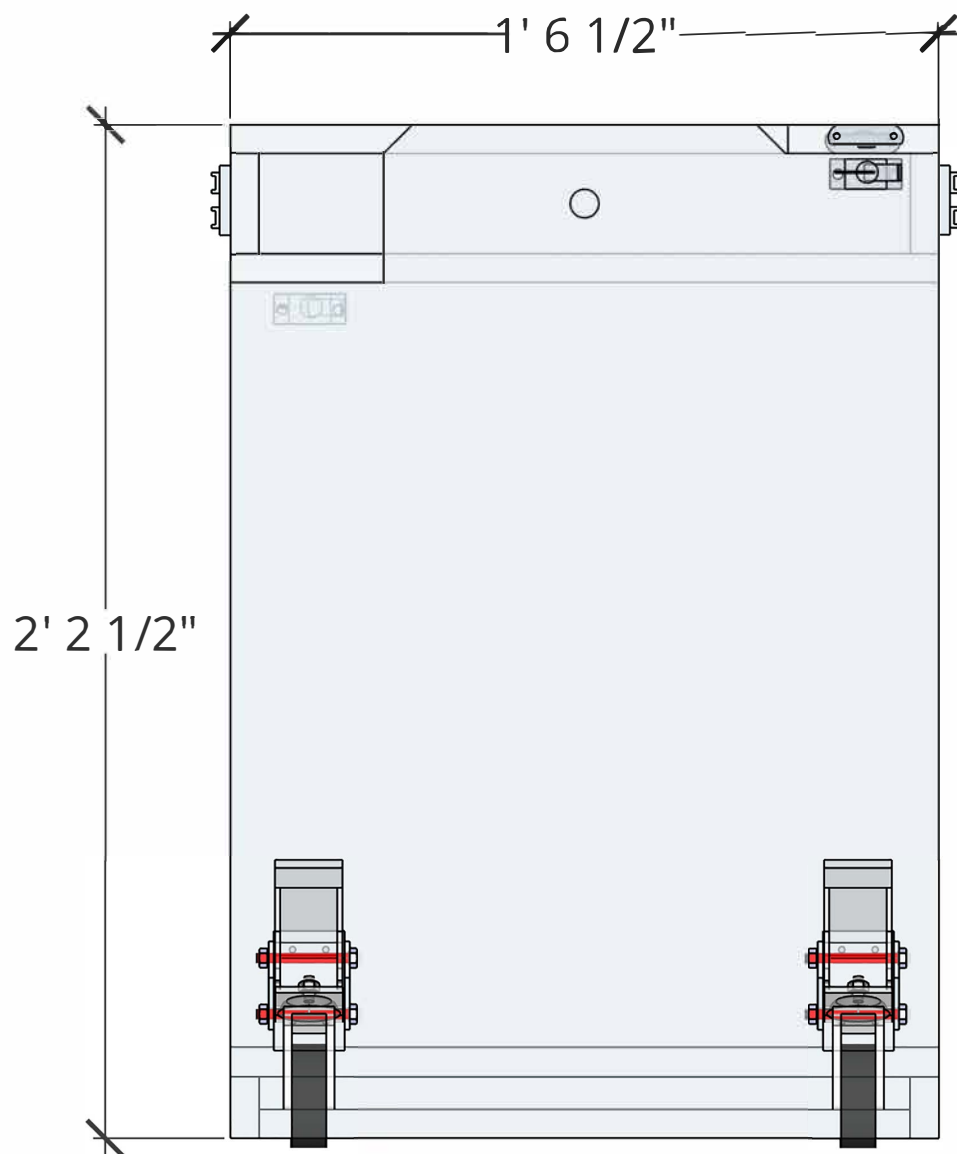


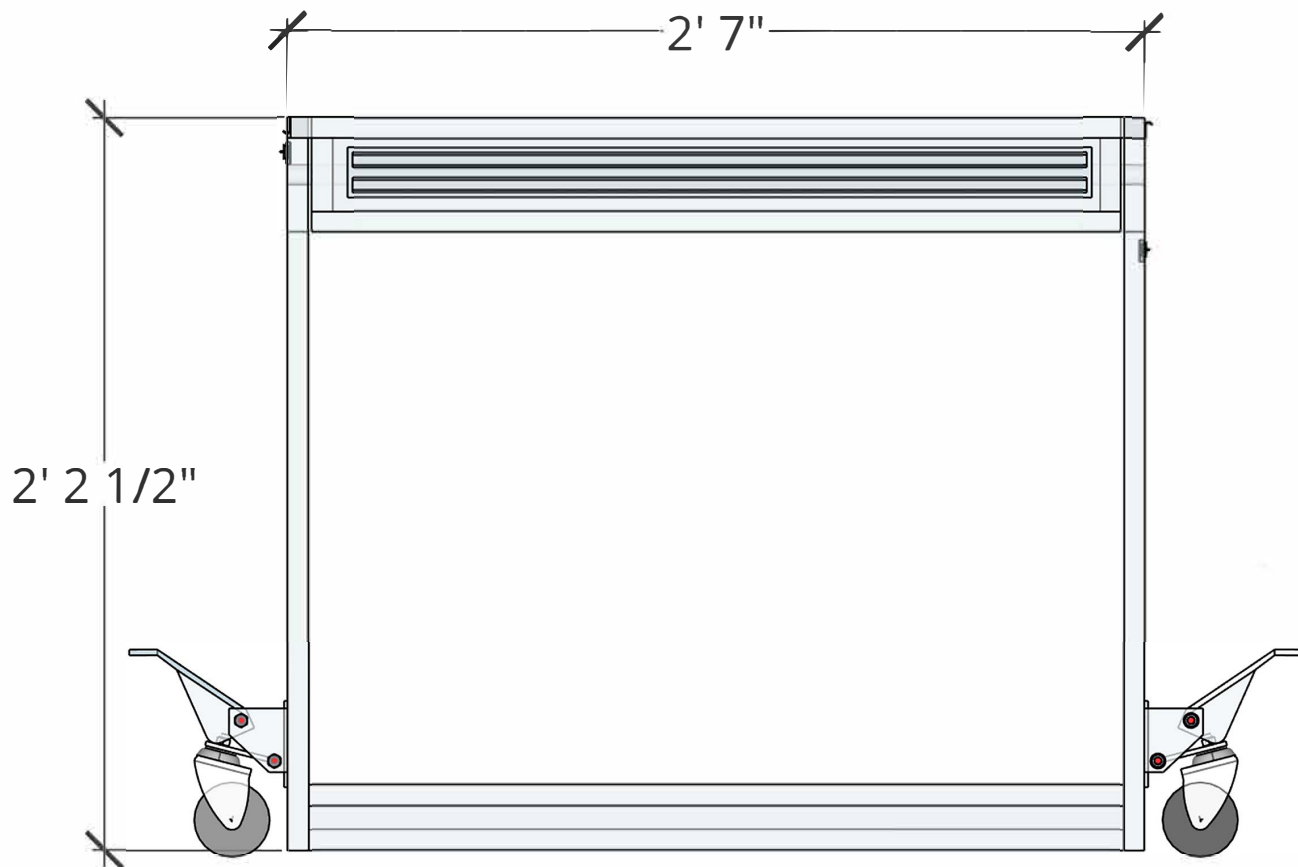












<b>Stock sheet</b>	3/4" Baltic - 48"×96"
<b>Used area</b>	3465.19 in <sup>2</sup> \ 75%
<b>Wasted area</b>	1142.81 in <sup>2</sup> \ 25%
<b>Cuts</b>	16
<b>Cut length</b>	463 1/4"
<b>Panels</b>	12
<b>Wasted panels</b>	5

Panel	Label	Qty
18 1/2"×26 1/2"	Side Panel	2
29 1/2"×17"	Base Bottom	1
2 5/8"×27 3/4"	Rot. Box Sides	2
29 1/2"×18 1/2"	Base Top	1
18 1/2"×29 1/4"	Rot. Box Bottom	1
18 1/2"×30 7/8"	Rot. Box Top	1
2 5/8"×17"	Rot. Box Front and Back	2
1 5/8"×27 3/4"	Base Front and Back	2

#	Panel	Cut	Dim
1	48"×96"	y=17"	48"
2	48"×17"	y=29 1/2"	17"
3	48"×78 7/8"	y=18 1/2"	48"
4	48"×18 1/2"	y=29 1/2"	18 1/2"
5	48"×60 1/4"	y=18 1/2"	60 1/4"
6	18 1/2"×60 1/4"	y=30 7/8"	18 1/2"
7	29 3/8"×60 1/4"	y=18 1/2"	60 1/4"
8	18 1/2"×60 1/4"	y=26 1/2"	18 1/2"
9	18 1/2"×33 5/8"	y=26 1/2"	18 1/2"
10	10 3/4"×60 1/4"	y=27 3/4"	10 3/4"
11	10 3/4"×27 3/4"	y=2 5/8"	27 3/4"
12	8"×27 3/4"	y=2 5/8"	27 3/4"
13	5 1/4"×27 3/4"	y=1 5/8"	27 3/4"
14	3 1/2"×27 3/4"	y=1 5/8"	27 3/4"
15	18 3/8"×17"	y=2 5/8"	17"
16	15 5/8"×17"	y=2 5/8"	17"

